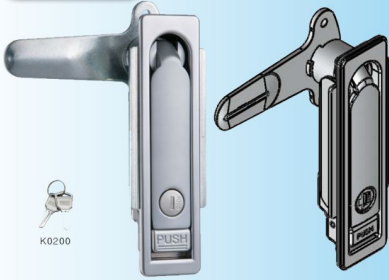


For Product Step File or 3D Model Send a Request Mail To info@nrack.com



Photo View

3D Rendered View



MS 104C - 1 - 1

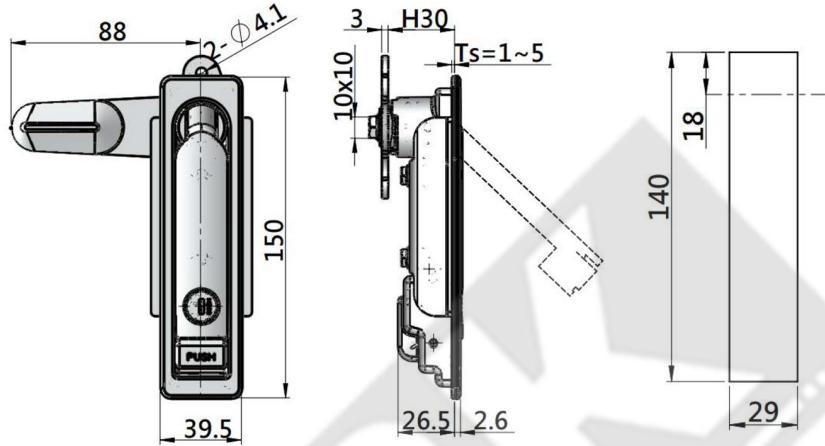
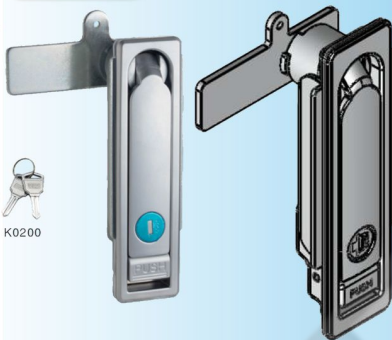


Photo View

3D Rendered View



MS 104C - 2 - 1

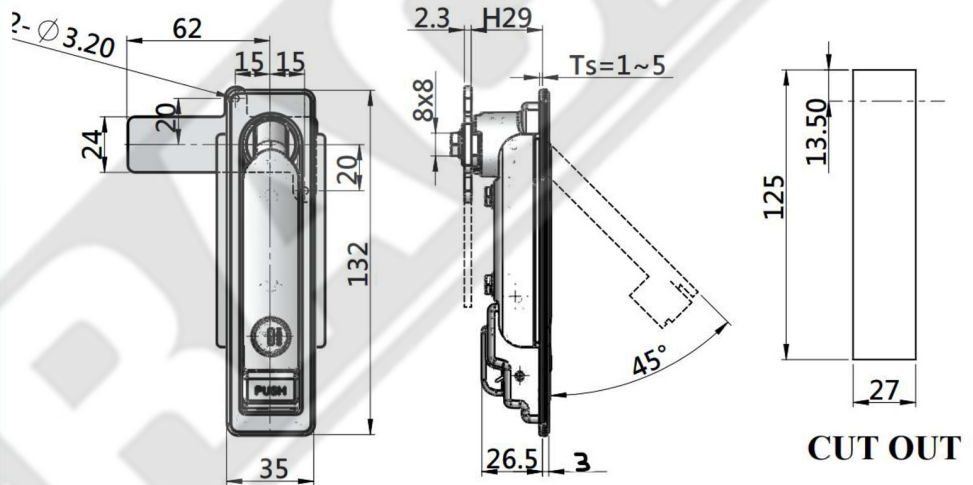
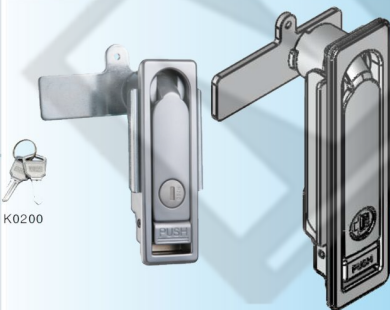
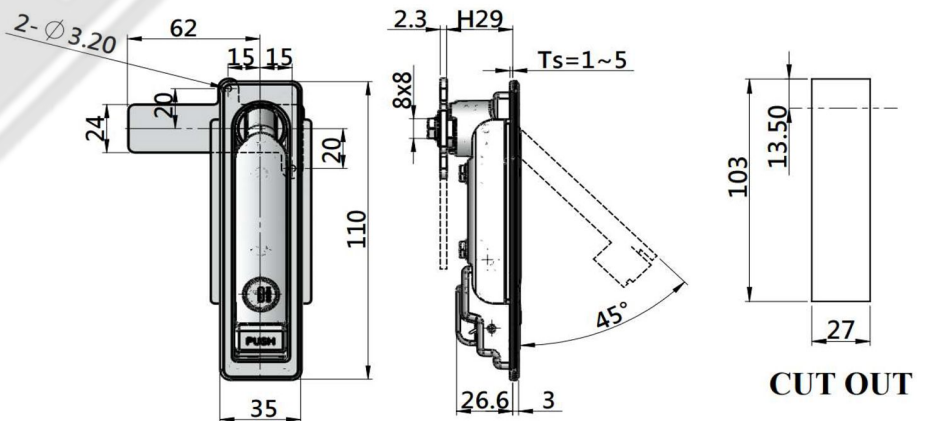


Photo View

3D Rendered View



MS 104C - 3 - 1



- Material: Zinc die-casting body and shaft, Zinc plating cam
- Panel thickness: 1~5mm fixin parts
- Remark: MS104C-1-1G, cam cutout □10x10 the other item No of cam cutout □8x8
- Finish: Gray chrome plating, Bright chrome plating Black powder coated

Product Number		Weight (g)	Lot
K0600(A)	K0200		
MS 104C - 1 - 1A	MS 104C - 1 - 1	565	40
MS 104C - 2 - 1A	MS 104C - 2 - 1	435	50
MS 104C - 3 - 1A	MS 104C - 3 - 1	372	50